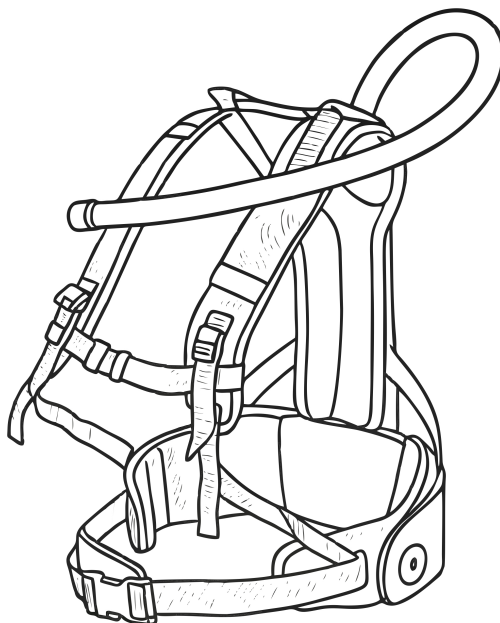




# i-suit Pro

Ergonomic harness for water fed poles

## User manual



**i-team Professional b.v.**

Hoppenkuil 27b, 5626 DD Eindhoven, The Netherlands

Telephone: +31402662400

E-mail: [hello@i-teamglobal.com](mailto:hello@i-teamglobal.com)

Internet: [www.i-teamglobal.com](http://www.i-teamglobal.com)

Original user manual, written in the English Language

---

Future Cleaning Technologies B.V.

Hoppenkuil 27b, 5626 DD Eindhoven, The Netherlands

---

Telephone: +31402662400

E-mail: [hello@i-teamglobal.com](mailto:hello@i-teamglobal.com)

Internet: [www.i-teamglobal.com](http://www.i-teamglobal.com)

---

Model: i-suit Pro

Date: 06/05/2026

Product code: i-suit Pro

Version: v2.2

## **Preface**

Thank you for purchasing the i-suit Pro ergonomic harness for water fed poles. The i-suit Pro is an ergonomic solution for window and facade cleaning that reduces the work load by more than 50%. With the i-suit Pro you can work for longer periods and make your work healthier and more efficient!

The i-suit Pro is easy to use when you follow the instructions. Please read the user manual carefully. Become familiar with the correct operation and maintenance procedures. Store the manual in a safe place. The manual is an essential part of the i-suit Pro and must be handed over to the new owner upon resale or exchange. Your i-team partner needs the product code when you order parts.

When this manual refers to "the manufacturer" this means: Future Cleaning Technologies B.V., an affiliate company of i-team in Eindhoven, the Netherlands. When this manual mentions "the partner" your local i-team reseller and support service partner is referred to.

## **Purpose of the user manual**

The purpose of the user manual is to provide the user with information during the life of the i-suit Pro in such a way that the i-suit Pro is used correctly, efficiently and safely, even in the event of reasonably foreseeable misuse, as described in section 1.2 of this manual.

The user manual contains instructions regarding:

- personal operator safety;
- intended and non-intended use of the i-suit Pro;
- instructions for daily use;
- maintenance instructions;
- storage conditions;
- disposal of the i-suit Pro.

These instructions must be considered to avoid risks that could lead to physical and/or material damage.

## **Target audience**

This user manual is intended for operators of the i-suit Pro and their supervisors, as well as partners and importers.





## **Operators of the i-suit Pro**

The i-suit Pro may only be operated by a person who:

- has correctly read and understood the instructions in this manual;
- is trained by an experienced operator who has read and understood the instructions in this manual.

## Reading guide

The purpose of the user manual is to provide the user with information during the life of the i-suit Pro in such a way that the i-suit Pro is used correctly.

Symbol	Term	Explanation
	<b>WARNING</b>	Indicates a hazardous situation which, if the safety instructions are not followed, can lead to injuries of the operator or bystanders, light and/or moderate damage to the product or the environment.
	<b>CAUTION</b>	Indicates a hazardous situation which, if the safety instructions are not followed, can lead to light and/or moderate damage to the product or the environment.
	<b>ATTENTION</b>	Indicates a liability situation, where the manufacturer or its partners and affiliates cannot be held accountable for damages caused by non-compliance.
	<b>SAFETY FOOTWEAR</b>	Indicates safety footwear is advised, for instance during cleaning work when using the i-suit Pro and a telescopic pole.

# Content

Preface .....	3
Purpose of the user manual .....	3
Target audience .....	3
Operators of the i-suit Pro.....	3
Reading guide .....	4
1 Introduction .....	7
1.1 Intended use of the product .....	7
1.2 Non-intended use of the product .....	7
1.3 Lifespan .....	7
1.4 Modifications .....	8
1.5 Specifications .....	8
1.6 Warranty .....	8
1.7 Identification .....	8
2 Description .....	9
3 Safety .....	10
3.1 General Safety Instructions .....	10
3.2 Risks during operation .....	10
4 Transport and storage .....	10
5 Assembly and installation .....	11
5.1 Unboxing .....	11
5.2 Assembly support tube .....	12
5.2.1 Install lower part of support tube .....	12
6.1.1 Operating the i-suit Pro.....	13-15
6.1.2 After operation .....	17
6.2 Using the i-glasses .....	17
Working with the i-glasses .....	17

7 Maintenance ..... 18

8 Trouble shooting .....19

9 Decommissioning and disposal ..... 20

10 Attachments ..... 21

10.1 CE Certificate ..... 21

## 1 Introduction

The i-suit Pro is designed to reduce the load of back, shoulders, neck, arms and wrists when using telescopic poles for window washing. This results in less injuries while doing your cleaning job day-in, day-out. The i-suit Pro feels like a mobile backpack, with elastics. It increases your productivity and allows you to work ergonomically and responsibly, and decreases physical strain.

i-team continuously improves all their products based on user experience and feedback.

Any deviations between the texts and/or images from the manual and your i-suit Pro can therefore arise from the difference in model or from possible changes due to continuous development and innovation.

### 1.1 Intended use of the product

The i-suit Pro may only be used with the following telescopic poles supporting a weight of 2 to 8 kilograms:

- telescopic water fed poles with brush for window cleaning;
- telescopic water fed poles with brush for cleaning facades and sidings;
- telescopic poles for indoor vacuum cleaning;

---

The i-suit Pro transfers the weight of the water fed pole to the backpack support via three elastic ropes, saving physical effort for the user.

1. Elastic lanyard cover black stretching force 4.5KGF 1.2M
2. Elastic lanyard cover red stretching force 3.5KGF 1.2M
3. Elastic lanyard cover blue stretching force 9.5KGF 1.2M

### 1.2 Non-intended use of the product



#### **WARNING**

Non-intended use can have consequences for the safety of operators and bystanders and will void the warranty on the product.

The i-suit Pro is not intended to be used in combination with other devices than mentioned in section

1.1. The i-suit Pro should only be worn with both arms through the shoulder straps. The waist and chest straps should be strapped tight to your body. Wearing and using the i-suit Pro in any other way can be dangerous for you and your environment.

### 1.3 Lifespan



#### **ATTENTION**

To ensure proper and safe operation always check the i-suit Pro visually before you are going to use it.

The elastics does last for 100 hours of operation. This means that the elastic needs to be replaced after typically 2 months of use.

## 1.4 Modifications

The i-suit Pro should be used as intended and described in this manual. It should only be used with the materials supplied. Using alternative supplies may cause damage to the i-suit Pro and may cause a risk to the user. The use of alternative supplies voids manufacturer's warranty.

## 1.5 Specifications

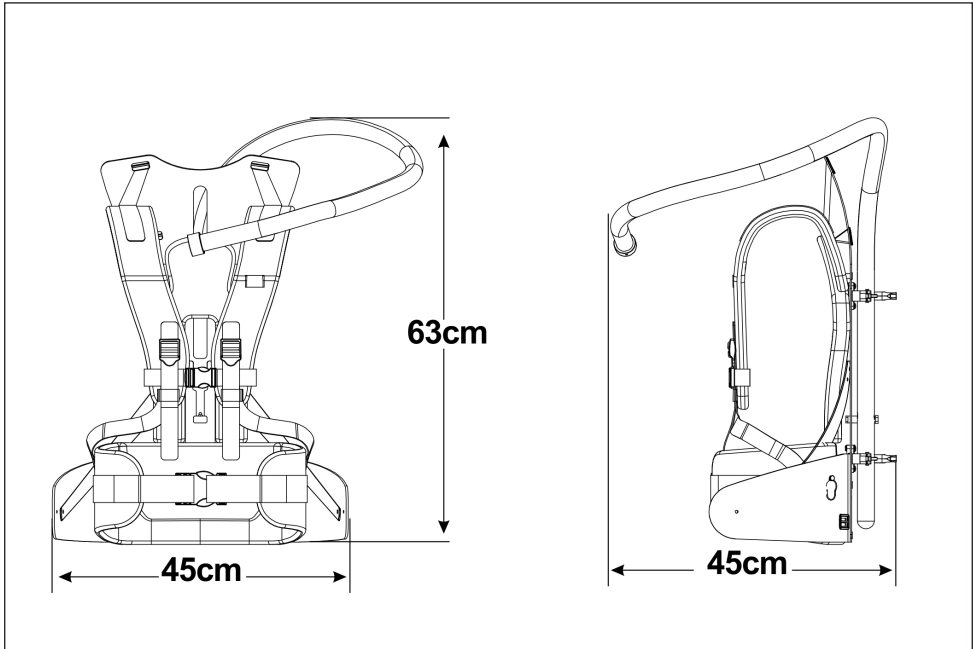


Figure 1

Product size: 45x 42 x 63 cm

Weight: 2.3kg

## 1.6 Warranty

The i-suit Pro should be used as intended and described in this manual. It should only be used with the materials supplied. Using alternative supplies may cause damage to the i-suit Pro and may cause a risk to the user. The use of alternative supplies voids manufacturer's warranty.

## 1.7 Identification

Each i-suit Pro has a unique identification number that can be found on top of the main body.

Your i-team partner needs this number when you order parts.

Product type: i-suit Pro

Serial number: xxxx

Manufacturer: Future Cleaning Technology B.V.

Country of assembly: China

## 2 Description

The i-suit Pro consists of four main parts:

- An ergonomic harness that is worn like a backpack.
- A support bend tube attached to the harness.
- Elastic lanyards.
- A pair of i-glasses.

TIP:

With the optional power wash support tube you can clean stained walls with a telescopic power wash high pressure pole. See section 7 for the use of this accessory.

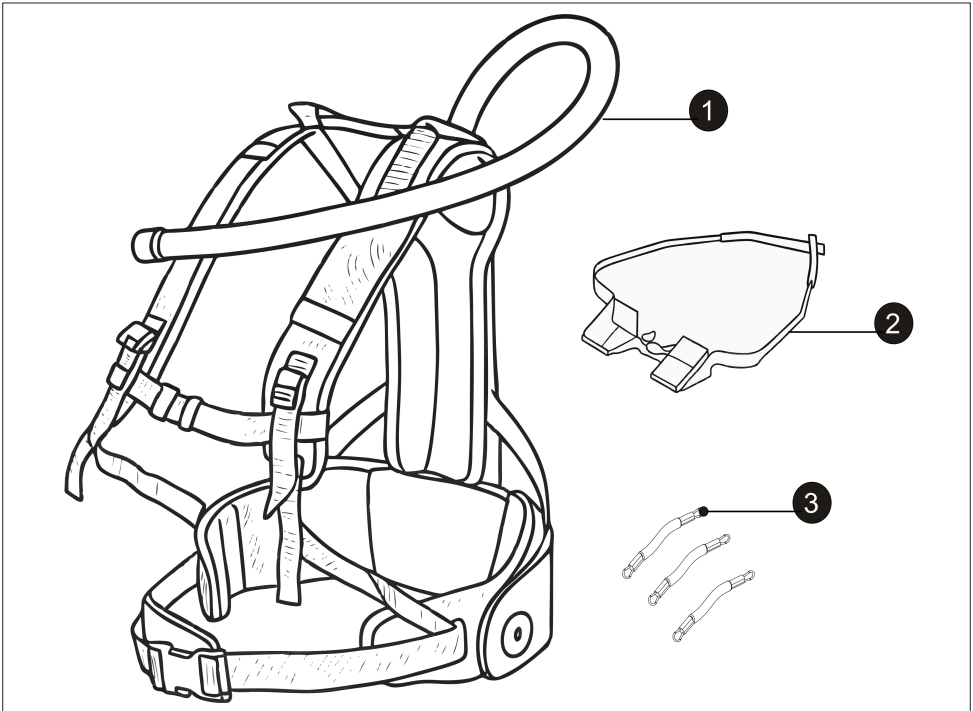


Figure 2

Legend

1. Support bend tube
2. i-glasses
3. Elastic lanyards

### 3 Safety

Safety comes first, therefore please take time to read and understand these safety instructions.

Improper use can cause harm or void the manufacturer's warranty

#### 3.1 General Safety Instructions

##### CAUTION

During normal operation the i-suit Pro causes no safety hazards. Please keep the following safety instructions in mind:



- work with two hands when the engaging and disengaging the water fed pole;
- make sure that the caps are fixed secure on both ends of the tubes;
- keep enough distance from other people (minimum 2 meters). Be aware that you could injure someone with the end of the tube, while turning around. Be extra careful when putting on the harness;
- do not wear loose clothing while using the i-suit Pro;
- always use the i-suit Pro with both feet on solid ground, never on a ladder, platform, scaffold, roof, deck, etc.;
- before using i-suit Pro, check if all parts are in good condition and properly attached.

#### 3.2 Risks during operation

##### WARNING

Even when the general safety instructions are followed, some risks remain when using the i-suit Pro.



- DO NOT use the i-suit Pro in proximity to electricity and/or telephone cables. The tubular construction is conductive, so near electricity through conductive cables, you could be in danger of electrocution;
- DO NOT use the i-suit Pro during stormy weather and forecast the presence of lightning;
- DO NOT use the i-suit Pro at windspeed 6 or higher (25-31 mph);
- DO NOT use the i-suit Pro in places where grounds and/or facades are unstable.

### 4 Transport and storage



##### CAUTION

Always keep the i-suit Pro stored in a dry place to keep in perfect working order.

## 5 Assembly and installation

The i-suit Pro is easy to assemble and comes with a pair of i-glasses (prism glasses) that offer overall vision without constantly looking up during your work.

### 5.1 Unboxing

The i-suit Pro is packed in a single box.

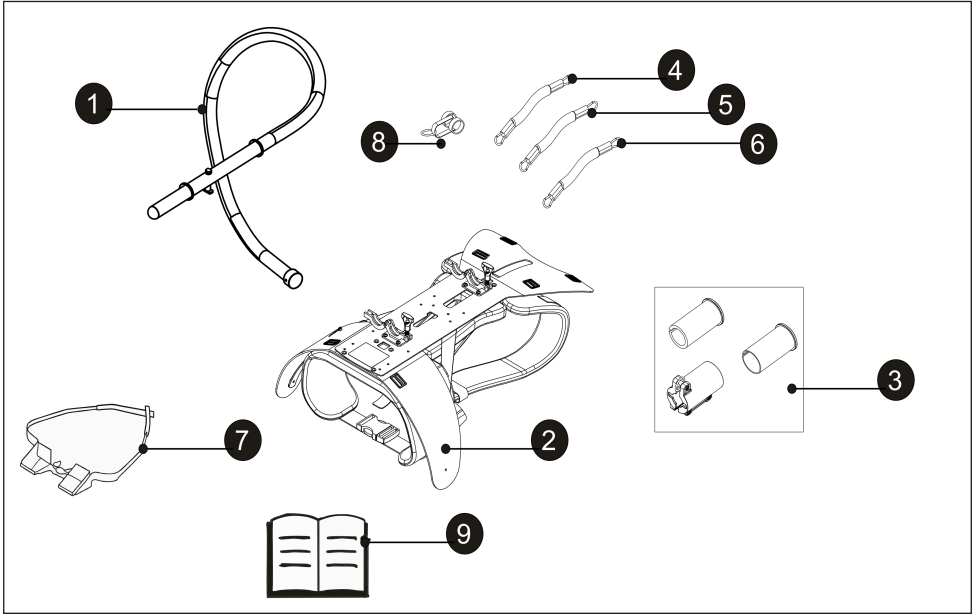


Figure 3

1. 1x support bend tube
2. 1x harness
3. 1x assy holders or tube
  - 3-1. 1x SILICONE PADS FOR TUBE 6#
  - 3-2. 1x SILICONE PADS FOR TUBE 9
4. 1x black elastic lanyard sleeve, strength 4.5KGF
5. 1x red elastic lanyard sleeve, strength 3.5KGF
6. 1x blue elastic lanyard sleeve, strength 9.5KGF
7. 1x pair of i-glasses
8. 1x fast holder with ring
9. 1x user manual

## 5.2 Assembly support tube

### 5.2.1 Install lower part of support tube

1. Place the harness with its back facing upwards and the mounting clamps opened in front of you.
2. Place the lower part of the support tube (Figure 4, pos. 1) in the opened mounting clamps (Figure 4, pos. 5), with the safety hook (Figure 4, pos. 3) in the opening of the harness.
3. Push the tube to the desired working height: Large, Medium or Small (Figure 4, pos. 6).
4. Make sure to put the rubber rings (Figure 4, pos. 2) into the mounting clamps.
5. Close the mounting clamps (Figure 4, pos. 4) and tighten the fasteners (Figure 5, pos. 1).

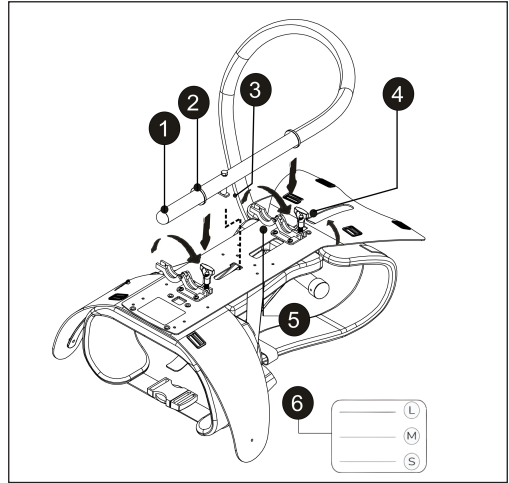


Figure 4

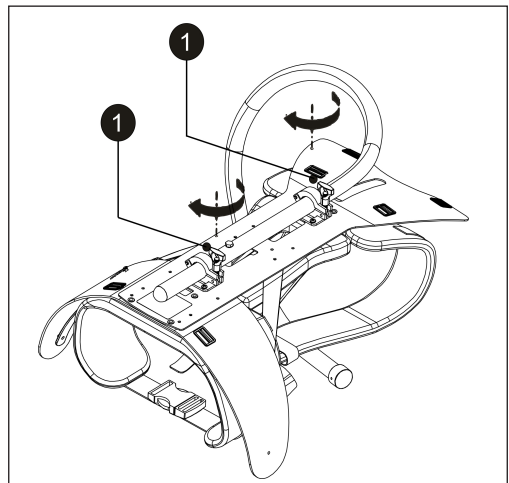


Figure 5



## CAUTION

Be careful while operating telescopic poles. It is advised to wear safety footwear during cleaning work to avoid slips and falls, which can lead to serious injuries.

### 6.1.1 Operating the i-suit Pro

1. Select a suitable silicone pad for the tube: BLUE-SILICON PADS FOR TUBE 6# AKG or SILICON GREY PADS FOR TUBE 9#, and install it on the end of the telescopic pole. The ring must be in line with the brush, otherwise it will twist.

2. Tighten the knob screw to ensure it does not fall off.

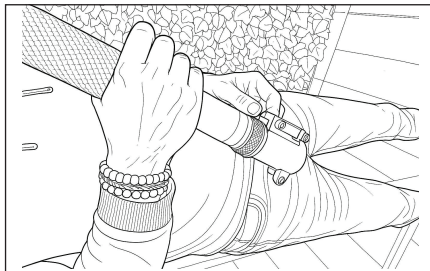
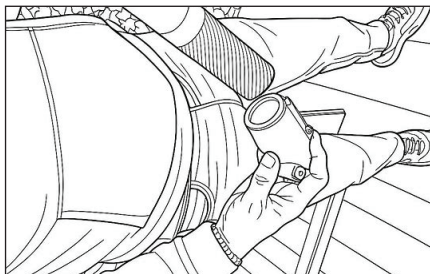
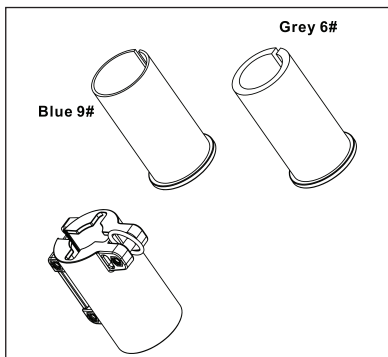


Figure 6

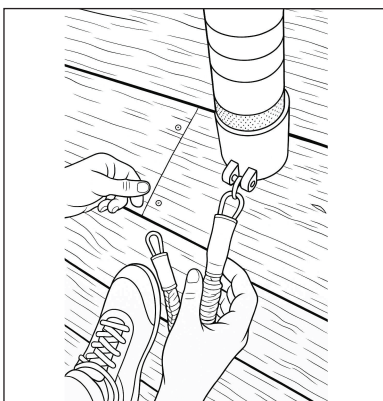
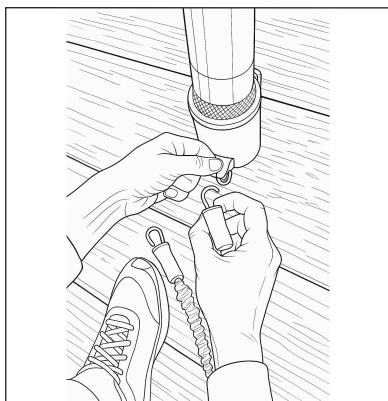


Figure 7

3. Take the required elastic rope, open the quick buckle as shown in the diagram, and hook it into the steel ring.



Figure 8

4. Assemble the fast holder with ring through the curved rod as shown in the diagram, then attach the quick hook of the elastic rope to the steel ring, ready for use.

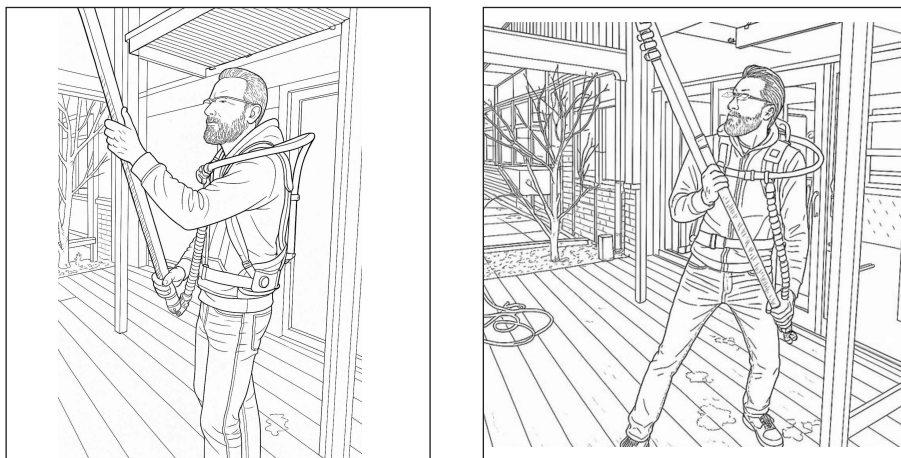


Figure 9

5. The bend has blue and gray working areas, and the webbing can slide freely.

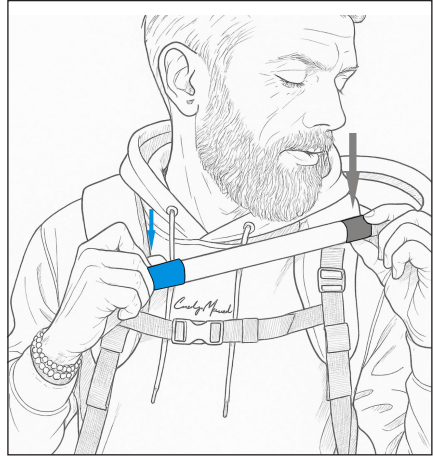


Figure 10

6. When using the right hand to control the long lever, use the blue area;  
When using the left hand to control the long lever, use the gray area.

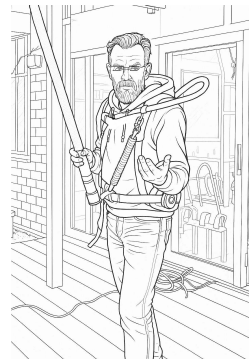
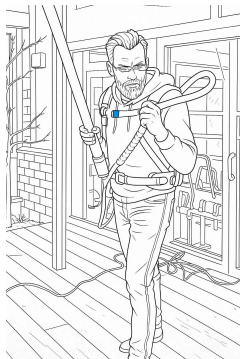
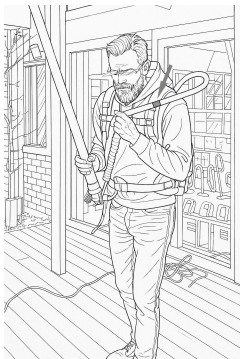
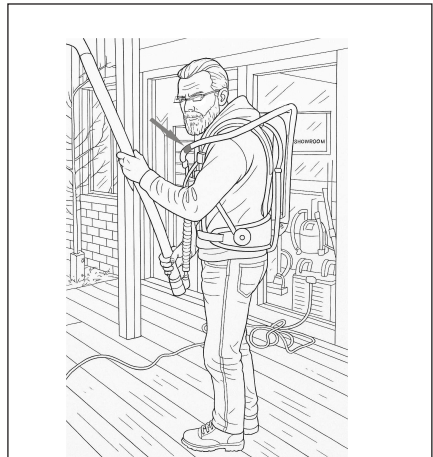
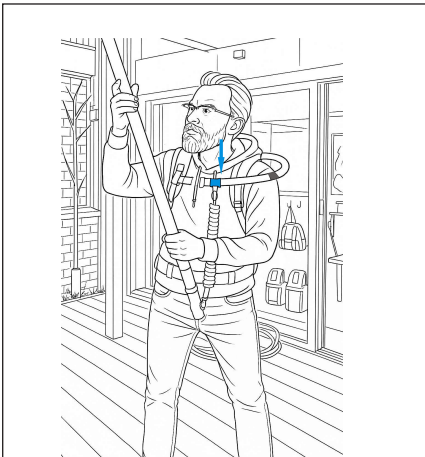


Figure 11

### 6.1.2 After operation

1. Kneel down and let your telescopic pole rest against the surface you just cleaned.
2. Gently place your telescopic pole on the ground.
3. Hold the line with one hand and remove the line from the support strap.
4. Gently let the line slide back into the pulley.



### WARNING

Hold the cable with one hand and let it gently rewind into the pulley. If the cable snaps back uncontrolled it can hit your face and injure your eyes

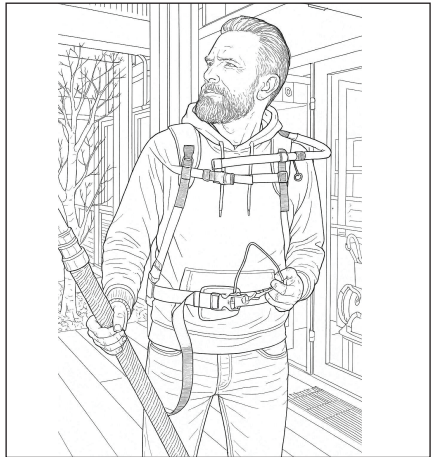
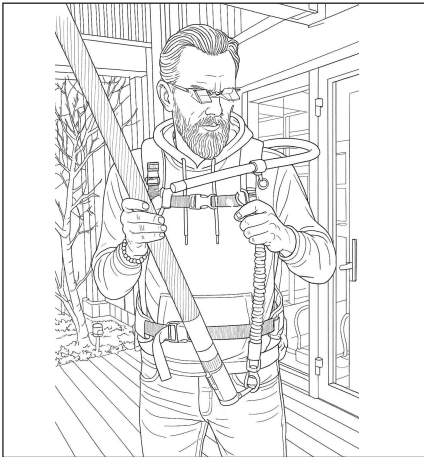


Figure 12

5. Stand up straight to take off the i-suit Pro.
6. Detach the chest strap and waist strap.
7. Take one arm out through the shoulder strap and take hold of the support tube.
8. Take off the i-suit Pro and close the straps.

## 6.2 Using the i-glasses

Looking up at your work is a common issue in cleaning jobs with telescopic poles. The supplied i-glasses help you to keep good vision on your work area without constantly looking up. The i-glasses are fitted with two mirrors and two prisms. This provides an excellent view while looking straight ahead.

You have to get accustomed to the i-glasses. We advise you therefore to walk up and down your workspot a few times. Move body and eyes, but not your head. In this way your brain adapts easier to this new viewing experience.

### Working with the i-glasses



#### ATTENTION

It is recommended to work a maximum of 4 to six hours with the i-suit Pro in combination with the i-glasses. This to prevent fatigue and overload.

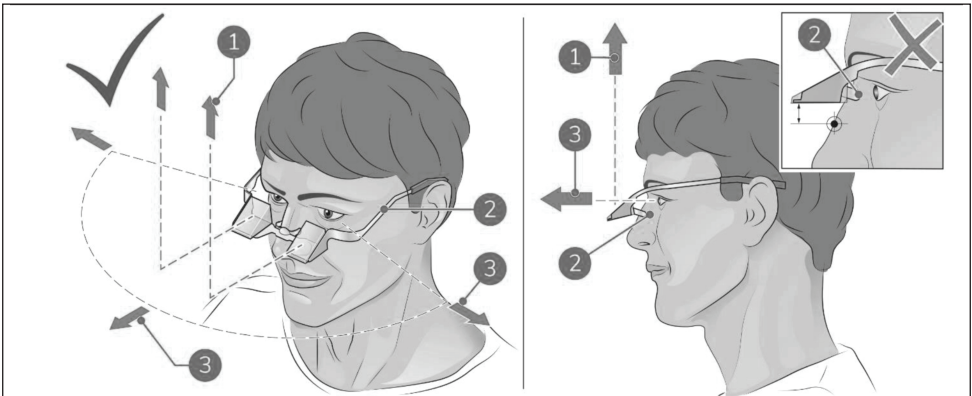


Figure 13

1. Stand still and look straight ahead to obtain the best upward vision (Figure 13, pos. 3, 1).
2. Do not position the i-glasses too high on the bridge of your nose. With the correct position (Figure 13, pos. 2) you are able to look fully into or out of the prisms. This enables you to switch trouble free between upward and normal panoramic vision.
3. Move your head as little as possible.
4. Adjust your image by taking a step backwards or forwards. In optimal position you should experience a clear, sharp image and a wide field of vision.

#### CAUTION



Do not move your head.

Small movements, especially from side to side, may cause dizziness or 'motion sickness'. Your brain has to adapt to a new way of viewing.

Look fully into or fully outside the prisms.

A confusing double image may result from looking part in and out of prisms at the same time.

## 7 Maintenance

It is recommended to clean i-suit Pro with a damp cloth, after every time the i-suit Pro is used. Clean the i-glasses when necessary with the supplied cleaning cloth.

Measure the length of the elastic in resting position weekly. Replace the elastic when the natural length is more than 43cm or when the elastic has been used for over 100 hours.

Check the harness and poles for damage regularly

Check the pulley regularly for:

- loose screws;
- scratches, cracks or other defects in support;
- state of the support rings;
- cracks or severe wear on or at the elastics.

## 8 Trouble shooting

Problem	Cause	Solution
<b>The i-suit Pro does not work properly</b>	You are standing too far away from the surface you are cleaning	Take a position closer to the surface
	The angle in which you hold your telescopic pole is too large	Reduce your working angle
<b>Neck/shoulder/back/arm/wrist complaints do occur, despite proper functioning of the i-suit Pro</b>	The i-suit Pro working method is new for you	Take your time to get used to this working method. Gradually build up the amount of time you work with the i-suit Pro and the i-glasses.
<b>Excessive force is required to pull the water supply rod during use.</b>	The elastic cord used is mismatched.	Select the appropriate elastic cord according to the color.  Red for light-duty poles, black for medium-heavy duty poles, blue for heavy-duty poles.

## 9 Decommissioning and disposal



### **ATTENTION**

It is the responsibility of the i-suit Pro owner to dispose of the product responsibly.

At the end-of-life the i-suit Pro still contains valuable resources and needs to be disposed of according to your local laws and regulations.



# 10 Attachments

## 10.1 CE Certificate



### EU Declaration of Conformity

- Product model / product:*  
Commercial name i-suit Pro  
Product MANUAL ERGONOMIC SUPPORT HARNESS FOR TELESCOPIC WINDOW WASHING  
Model/type I-SUIT20  
Year of production 2026  
Serial numbers 000001 – 010000
- Company Business name* i-team Professional B.V.  
Address Hoppenkuil 27B, 5626 DD, Eindhoven, The Netherlands  
Authorized representative Frank van de Ven
- Manufacturer Name* Future Cleaning Technologies B.V.  
Address Hoppenkuil 27B, 5626 DD, Eindhoven, The Netherlands
- This declaration is issued under the sole responsibility of the manufacturer.*
- The object of the declaration described above is in conformity with the relevant EU harmonization legislation*
- References to the relevant harmonized standards used or references to the other technical specifications in relation to which conformity is declared:*

Reference & date	Title
EN ISO 12100:2010	General principles for the design of machinery, focusing on risk assessment and risk reduction to ensure safe operation throughout the machine's lifecycle.
EN 1005-2:2003+A1:2008	Human physical performance - Part 2: Manual handling of machinery and component parts of machinery
EN 1005-3:2002+A1:2008	Human physical performance - Part 3: Recommended force limits for machinery operation
EN 614-1:2006+A1:2009	Ergonomic design principles - Part 1: Terminology and general principles

- The manufacturer applied the procedure for assessment of conformity with internal checks on manufacture. / conformity assessment body was not involved.*
- Additional information:*  
*The technical documentation for the machinery is available from the authorized representative at the address above.*

Signed for and on behalf of: i-team professional B.V.  
Place of issue: Eindhoven  
Date of issue: April 23, 2026  
Name: Frank van de Ven  
Function: Director

Signature: 